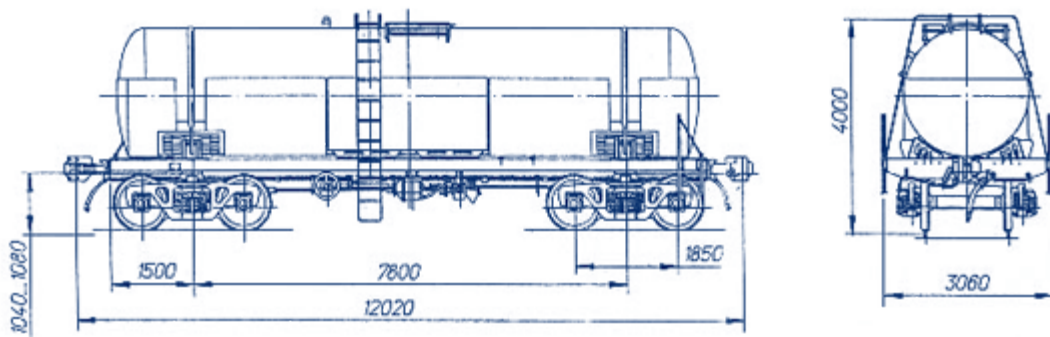


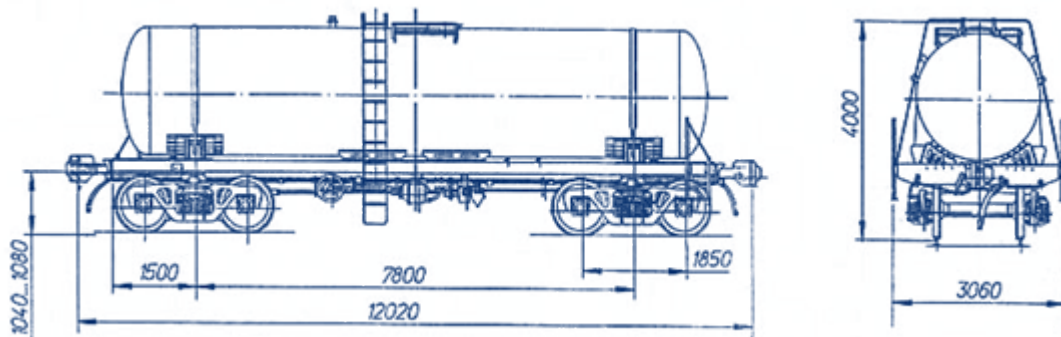
## Tankwagons cesterny for acids

<b>Model</b>	<b>15-CERD/c/SR.1406</b>	<b>15-1424-02</b>	<b>15-1424-03</b>	<b>15-1487-01</b>	<b>15-1548-02</b>
<b>Description</b>	Strong nitric acid	Oleum	Technical sulphuric acid	Weak nitric acid	Improved sulphuric acid
<b>Carrying capacity, i.e.</b>	57.3	68.0	65,0	68.7	67,0
<b>Tara wagon, t</b>	22,98	24.2	23.5	24.6	23.3
<b>The speed of the structural, km/h</b>	120	120	120	120	120
<b>Gauge on GOST 9238</b>	02-BM	02-BM	02-BM	02-BM	02-BM
<b>(B) (width) maximum, mm</b>	3060	3060	3060	3060	3060
<b>H (height) maximum, mm</b>	4186	4000	4000	4435	4000
<b>The amount of the boiler, m<sup>3</sup></b>	39,5	38.5	38.5	54.5	38.5
<b>Internal diameter boiler, mm</b>	2214	23848	23848	2600	23848
<b>The working pressure in the boiler, .6mpa</b>	0.2	0.25	0.25	0.2	0.25
<b>Method of filling</b>					
<b>Way to discharge</b>	peredavlivaniem	peredavlivanie m	peredavlivanie m	peredavlivanie m	peredavlivaniem
<b>Material boiler</b>	alumina. ADO	09G2s-13	St3sp5	128H18n10	10H17n13m 2t

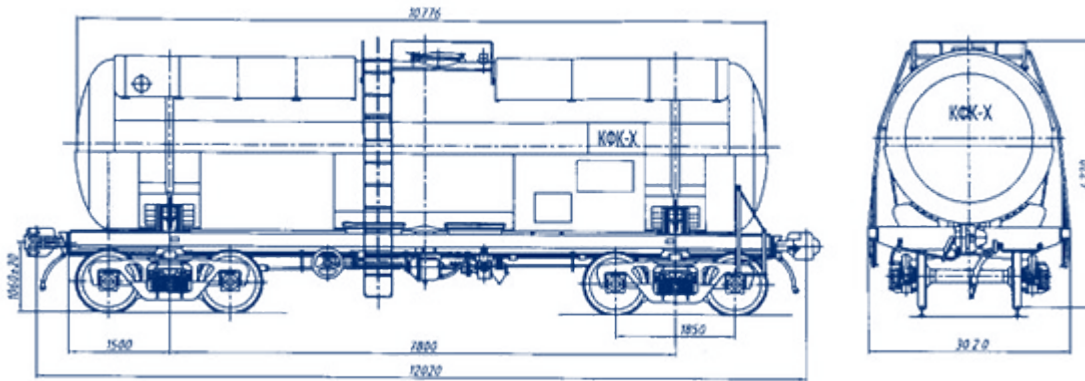
<b>Model</b>	<b>15-1601</b>	<b>15-1608-03</b>	<b>15-1610-02</b>	<b>15-1614-01</b>
<b>Description</b>	Blend	Acetic acid	Methanol	Hydrochloric acid
<b>Carrying capacity, i.e.</b>	65,0	66,0	65,0	65,0
<b>Tara wagon, t</b>	23.9	27.0	27.9	25,8
<b>The speed of the structural, km/h</b>	120	120	120	120
<b>Gauge on GOST 9238</b>	02-BM	02-BM	1-T	02-BM
<b>(B) (width) maximum, mm</b>	3060	3080	3260	3060
<b>H (height) maximum, mm</b>	4232	4620	5160	4510
<b>The amount of the boiler, m<sup>3</sup></b>	46,0	73.1	85.6	63,0
<b>Internal diameter boiler, mm</b>	2400	3000	422364	2800
<b>The working pressure in the boiler, .6mpa</b>	0.25	0.2	0.25	0.15
<b>Method of filling</b>				
<b>Way to discharge</b>	peredavlivaniem	peredavlivaniem	peredavlivaniem	peredavlivaniem
<b>Material boiler</b>	12H18n9t	12H18n9t	09G2s-13	09G2s-13



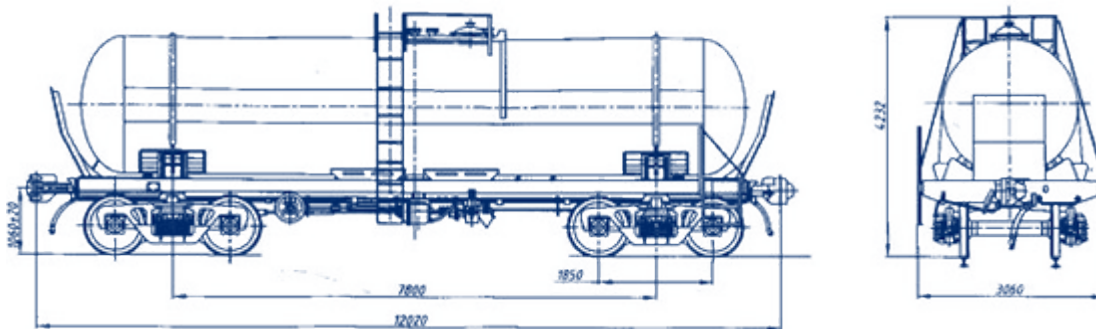
Tank for olouma, model 15-142-02



Tank for ksilyty, model 15-1424-03



Tank wagon modified under carriage kfq, model 15-1487-02



Tank wagon for melanža, model 15-1601-01