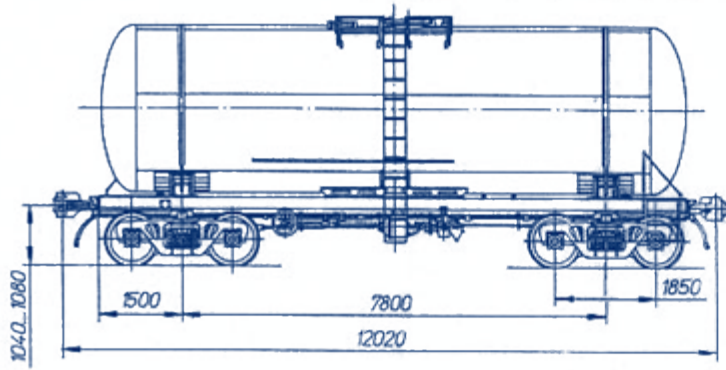
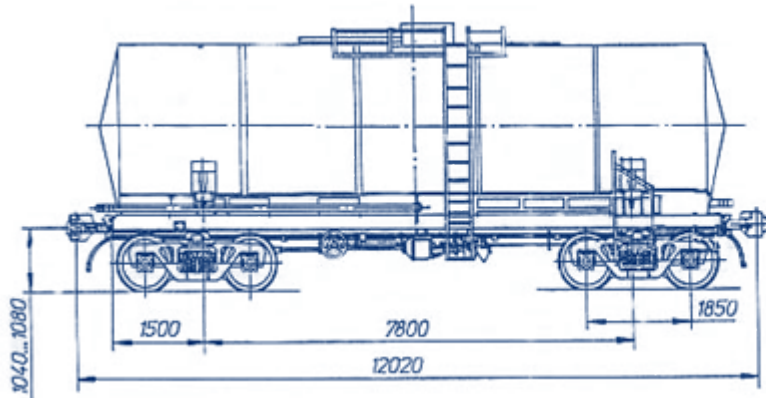


Tankwagons food

Model	15-1522-01	15-1547-04	15-1613-01	15-1639-01	15-1613-02	15-1613-03
Description	For juices and wines	For alcohol	For molasses	For water	For CFS	For CFS
Carrying capacity, i.e.	65.5	65,0	68.4	52,0	68.4	67.7
Tara wagon, t	27.1	27.2	24.9	28,5	25.3	25.7
The speed of the structural, km/h	120	120	120	120	-	-
Gauge on GOST 9238	1-T	1-BM	02-BM	1-BM	02-BM	02-BM
The amount of the boiler, m³	63.4	85.6	54.5	54.5	54.5	54.5
Internal diameter boiler, mm	2800	422364	2600	2600	2600	2600
The working pressure in the boiler, .6mpa	0.05	0.15	0.15	0.27-0,34		
Method of loading and discharge of the product						
Loading						
Plums						
Material boiler	12H18n9t	09G2s-13	09G2s-13	12H18n9t	09G2s-14 GOST 5520-79	09G2s-14 GOST 5520-79
Model of the trolley, mm			18-100	18-100	18-100	18-100
Type avtoscepki					Sa-3	Sa-3
Platform					1678.00.000-06	1678.00.000-06
Base wagon, mm			7.8	7.8	7800	7800
Axle, TC			230.5 (23.5)	200,81 (20.47)	23.5	23,35



Tank for alcohol, model 15-1547-04



Tank for water, model 15-1539-01