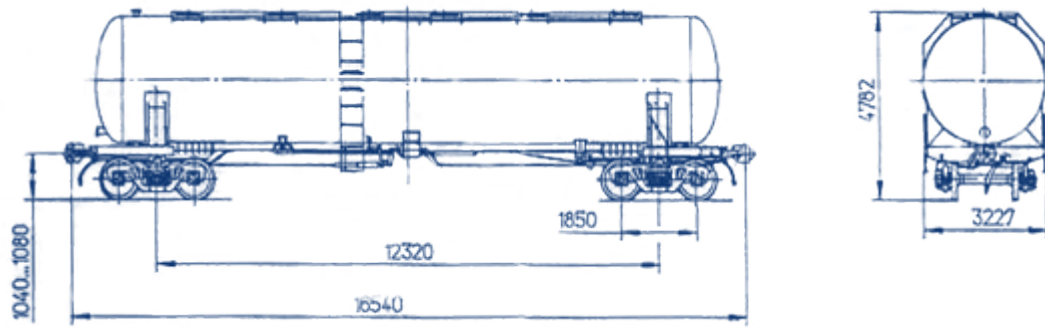
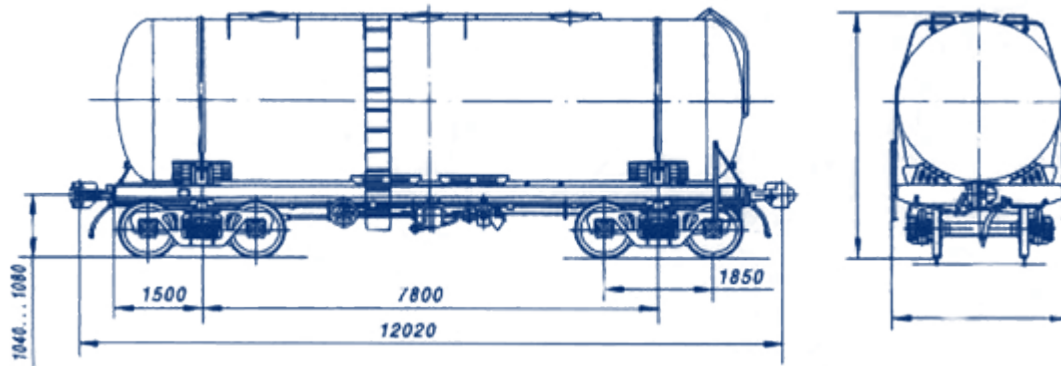


# Tank wagons for heavy powdery good

<b>Model</b>	<b>15-1449</b>	<b>15-1405</b>	<b>15-854</b>
<b>Description</b>	Ash soda	Cement	Cement
<b>Carrying capacity, i.e.</b>	62,0	61,0	68.0
<b>Tare, t</b>	31,0	25,8	24,61
<b>The speed of the structural, km/h</b>	120	120	120
<b>Gauge</b>	1-T	02-BM	02-BM
<b>In 273mm(depth), mm</b>	3260	3040	3094
<b>H (height), mm</b>	4820	4490	4610
<b>The amount of the boiler, m. cube.</b>	105,0	53.3	61,0
<b>The diameter of the boiler, mm</b>	422364	2800	3000
<b>The pressure in the boiler, .6mpa</b>	0.2	0.2	0.2
<b>The method of loading and unloading</b>			
<b>Material boiler</b>	09G2s-13	09G2s-13	09G2s-13



Tank for the salt ash



Tank for cement, model 15-1405-02

