

Open for loose and bulk

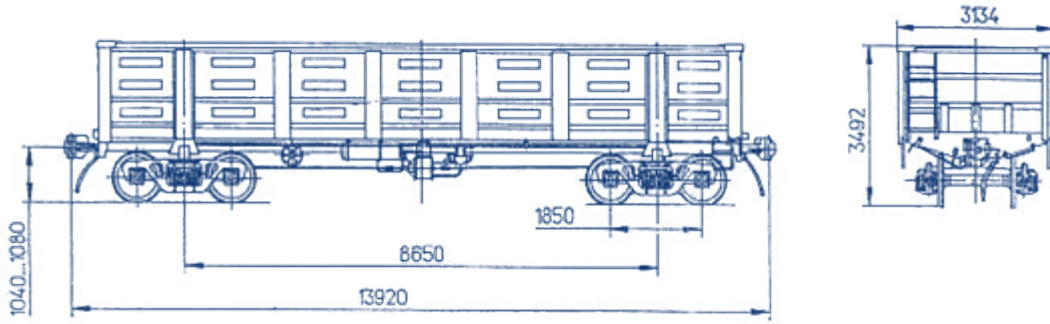
Wagons intended for the carriage by rail gauge 1,520 mm loose, retail and outsize, not requiring protection against atmospheric precipitation.

Wagons are equipped with internal and external-Rails-height, automatic and parking. Bearing and otvestvennye elements of the body and frame made of low-alloy steel.

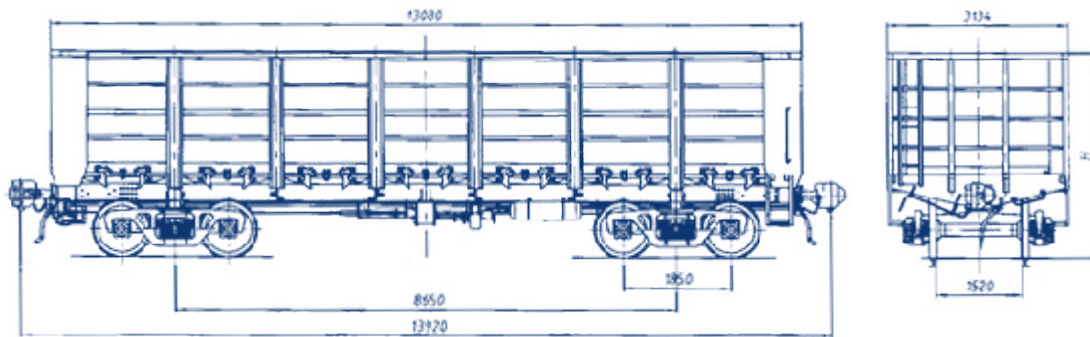
For cleaning the body of residual cargo floor poluvagona MOU. 12-1592 are two Starfighter. For the unloading of the body in the floor open MOU. 12-1704, 12-1704-01 mounted fourteen unloading hatches, seven from each side.

Wagon certified certification at the federal railways of Russia.

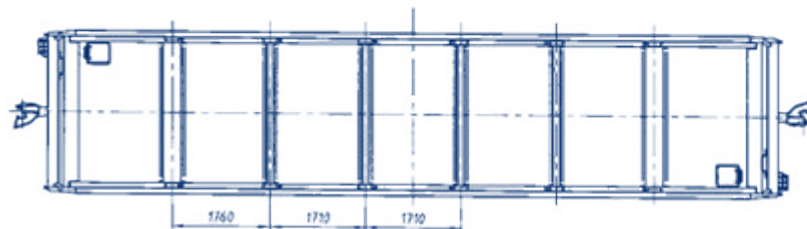
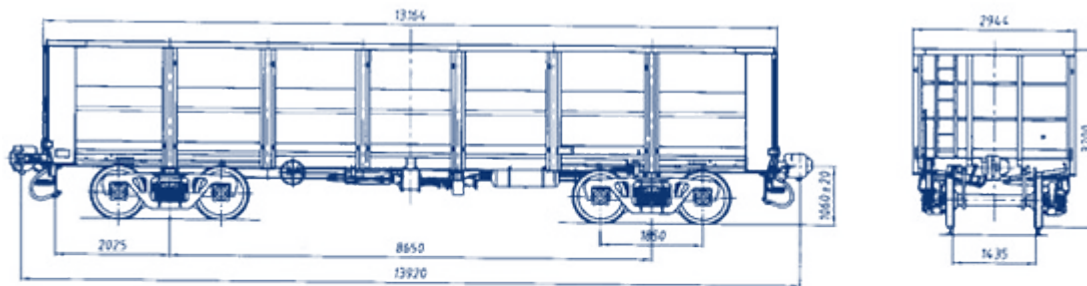
| Model | 12-1592 | 12-1704-03 | 12-1704-04 | 15-1449 | 15-854 | In 1782 |
|--|--------------|--------------|--------------|---------|--------|-------------|
| Carrying capacity maximum, i.e. | 72.0 | 70.0 | 69.5 | 62,0 | 68.0 | 68.2 |
| Tare, t | 21.5 | 23.3 | 23.8 | 31,0 | 24,61 | 21.3 |
| Load from wheel pairs on rail tracks, TC | 230,0 (23.5) | 230,0 (23.5) | 230,0 (23.5) | | | 220,5 (22½) |
| The speed of the structural, km/h | 120 | 120 | 120 | 120 | 120 | 120 |
| Gauge GOST 9238 | 0-BM | 0-BM | 1-BM | 1-T | 02-BM | RAI |
| The volume of the body, m. cube. | 83,0 | 77.4 | 88.0 | | | 67.8 |
| Wagon maximum height, mm | 3481 | 3495 | 3775 | 4820 | 46.1 | 422364 |
| The length of the wagon on avtoscepok, mm | 13920 | 13920 | 13920 | | | 13920 |
| The height of the inside on the side wall, mm | 21020 | 2075 | 2355 | | | 1950 |
| The maximum width of the wagon, mm | 3134 | 3134 | 3134 | 3260 | 3094 | 2944 |
| The width of the body inside, mm | 2918 | 2930 | 2930 | | | 2740 |
| The length of the body inside, mm | 12700 | 12700 | 12700 | | | 12690 |



Axle gondola, model 12-1592



Open model 12-1704-03 and 12-1704-04



Gondola, model ID-17182 for Iranian railways