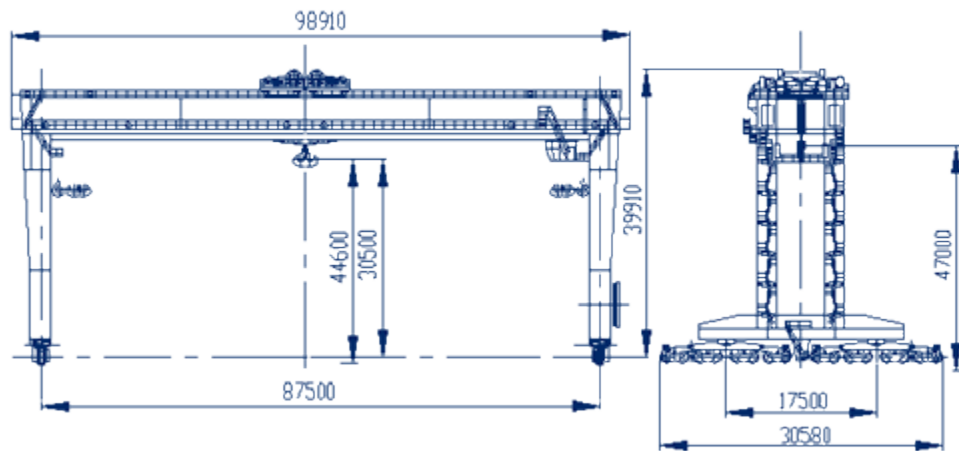


Gantry crane capacity 2x160 m

The crane is designed for handling and assembly work. Operating in a closed room with a possible exit to the open space at a wind working condition.



Specifications

Cranes, t:	
main lift	160
Support Recovery	50
The number of carts, m	2
Lifting height, m	
main lift	47
Support Recovery	44.6
Lifting speed, m / min	
main lift	0,5 ÷ 6,4
Support Recovery	1,0 ÷ 20
Travel speed, m / min	
Crane	1,5 ÷ 30
carts	1,0 ÷ 30
Supply voltage electrical network, in	post. 220