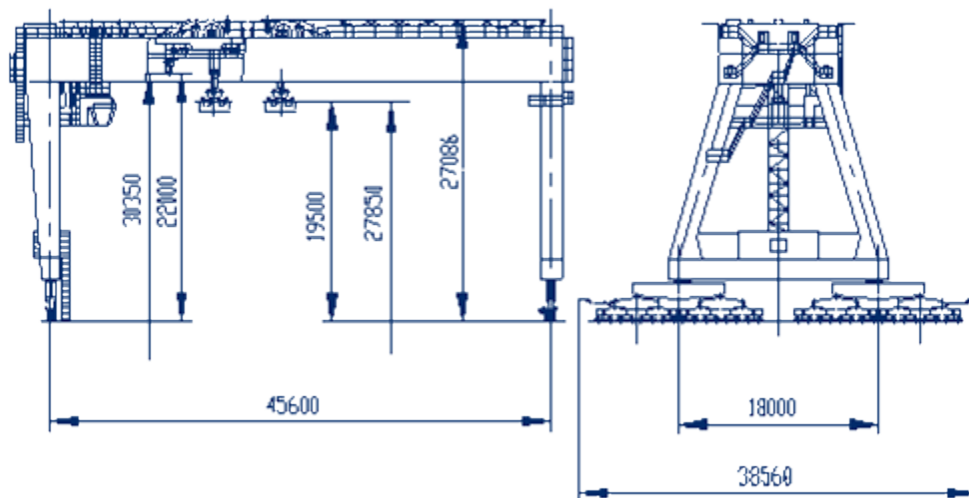


Gantry crane capacity 2h320/32 t

The crane is designed for assembling and shipping operations to large-size cargoes weighing up to 640 tons per ship-building workshop. The crane is operated in some ways with the other crane gantry cranes.



Specifications

| | |
|--|-----------|
| Cranes, t: | |
| main lift | 320 |
| Support Recovery | 32 |
| complete (in Traverse) | 640/615 |
| The number of carts, m | 2 |
| The height of the main lift, m | |
| total | 27.85 |
| from the head crane rail | 19.5 |
| Auxiliary lifting height, m | |
| total | 30.35 |
| from the head crane rail | 22 |
| Lifting speed, m / min | |
| main lift | 2 |
| Support Recovery | 8 |
| Travel speed, m / min | |
| Crane | 37.35 |
| carts | 27.5 |
| self-propelled trucks | 15 |
| Supply voltage electrical network, in | Lane. 380 |