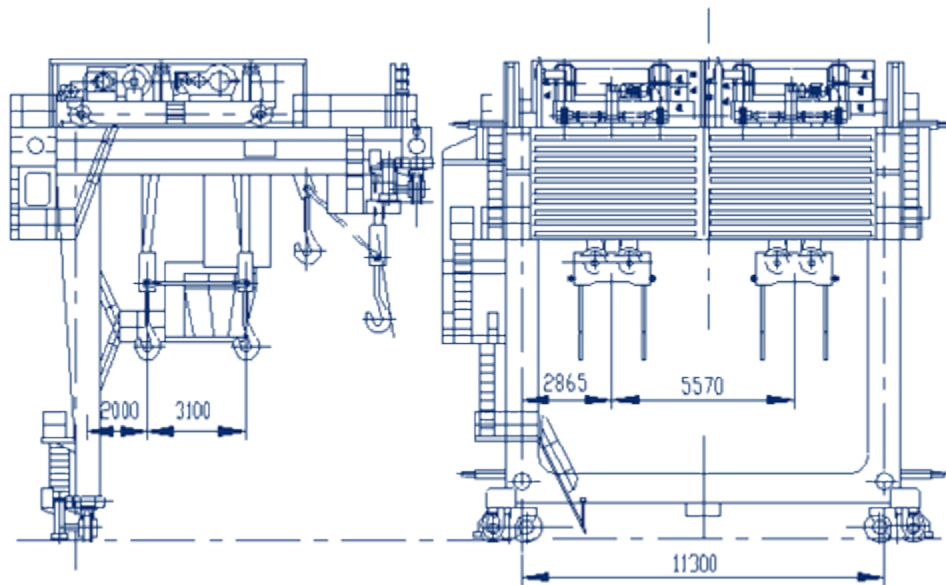


# Gantry crane capacity of 2x40 m

Zavalochny semi-gantry crane is designed to replace the existing tap foreign companies with lower capacity and to improve the performance and technological performance of the converter shop and serves as a filling for scrap in the converter with the help of 2 Sovkov capacity of 25 m<sup>3</sup>.



## Specifications

<b>Cranes, t:</b>	<b>2x40</b>
<b>Lifting height, m</b>	
<b>total</b>	17
<b>from the head crane rail</b>	8.82
<b>Lifting speed, m / min</b>	10
<b>Travel speed, m / min</b>	
<b>Crane</b>	60
<b>carts</b>	30
<b>Supply voltage electrical network, in</b>	per.380