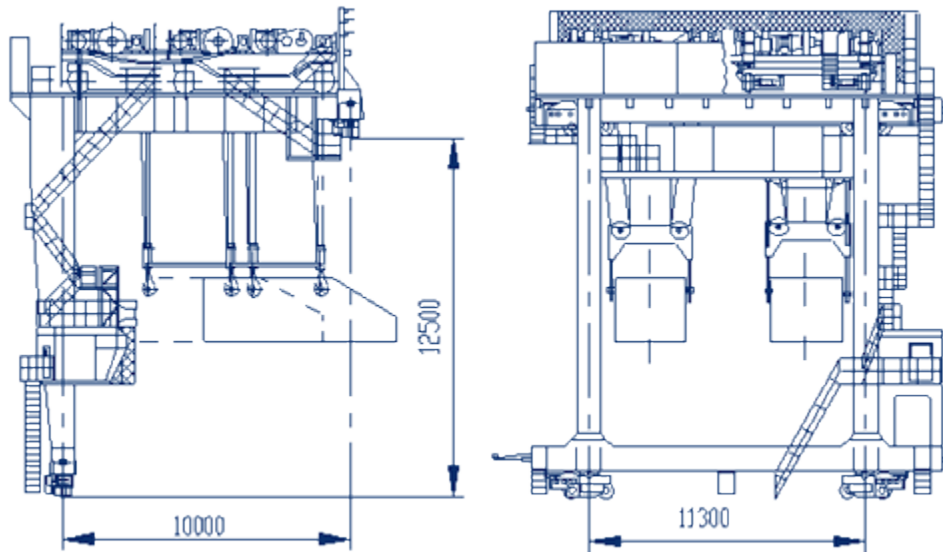


Semi-gantry crane capacity 2x110 t

Semi-gantry crane is designed to remove 2-Sovkov with scrap metal from skrapovoza, transporting them to the converter, the filling of scrap to the converter, transporting empty shovels and set them on skrapovoz.



Specifications

Cranes, t:	2x100
Lifting height, m	
total	17
Number of trucks, pc	2
Lifting speed, m / min	10
Travel speed, m / min	
Crane	50
carts	20
Supply voltage electrical network, in	per.380