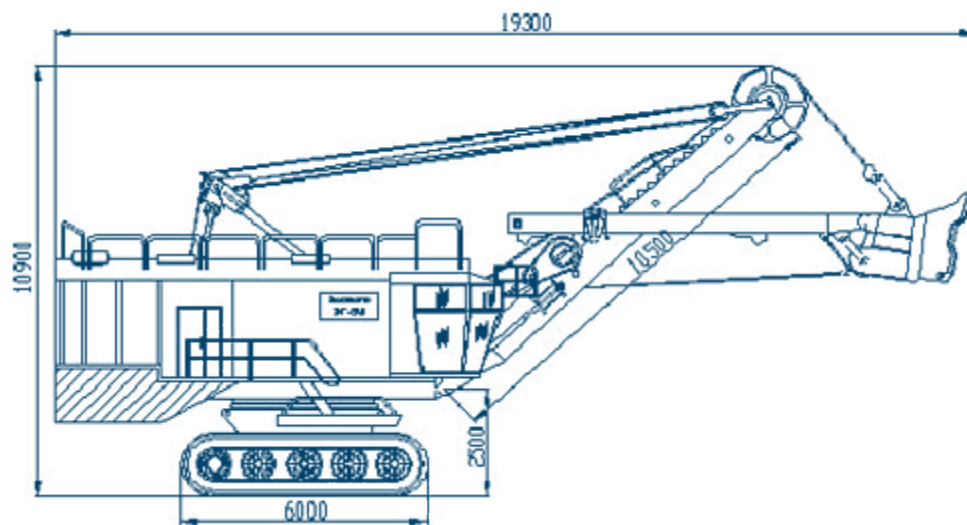


Career crawler excavator EKG-5AM



Career crawler excavator EKG-5AM is intended for excavation and loading operations in the rocks, previously loosened by explosion.

Bucket capacity, m³	5.2
Maximum digging radius, m	14.5
Maximum digging height, m	10.3
Maximum radius of discharge, m	12.7
Maximum height of discharge, m	6.7
Average ground pressure during movement, n / cm²	21
The speed of movement on a horizontal platform, km / h	0.55
Most grade ability, deg	12
The greatest deviation of the working platform, deg	3
Supply voltage, kV	6